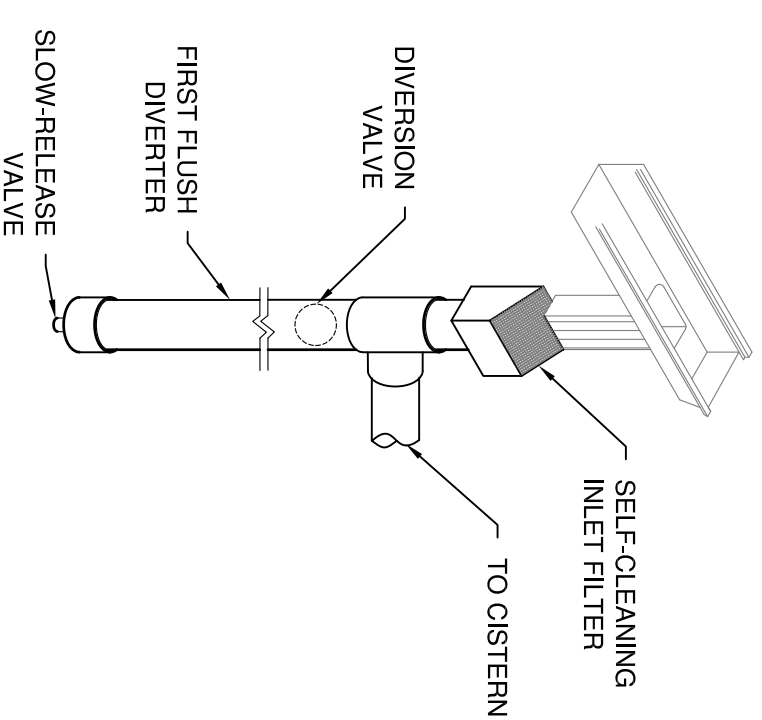


**RAINWATER HARVEST AND REUSE**

NTS

- NOTES:**
- a. LID BMPs MUST COMPLY WITH GUIDANCE AND LID MATRIX IN ADDITION TO LOCAL AND STATE CRITERIA. THESE TEMPLATES ARE INTENDED TO REPRESENT TYPICAL DETAILS. EACH DETAIL WILL REQUIRE REVISIONS TO MEET SPECIFIC SITE CONFIGURATIONS AND CONSTRAINTS BEFORE INCORPORATION INTO DESIGN PLANS.
  - b. CLEAR AND OBVIOUS SIGNAGE SHOULD BE PROVIDED WHEREVER HARVESTED RAINWATER IS USED (EXAMPLE IS "CAUTION: NON-POTABLE WATER, DO NOT DRINK"). SIGNAGE IS RECOMMENDED IN ANY AREAS WHERE HARVESTED WATER IS PIPED OR USED, AND ANY SPIGOTS, DRAWDOWN PIPES, OR ACCESS HATCHES.
  - c. ALL VALVES (EXCEPT FIXTURE SUPPLY CONTROL VALVES) SHOULD BE EQUIPPED WITH LOCKING FEATURES.



**PRETREATMENT DETAIL**

NTS

LOW IMPACT DEVELOPMENT - DESIGN TEMPLATE

APPROVED BY:  
DSWC

DATE:  
06/15/2020

HARVEST AND REUSE

STANDARD DETAIL NO.

HR-1

